



GEARHEADS Frame size 90mm sq. (3.54 in. sq.)

METAL TYPE & BALL BEARING TYPE

▶ **RATED TORQUE OF GEARHEAD**

MODEL	Speed(rpm)	500	300	200	120	100	60	50	30	20	15	10	9
	Ratio	50Hz	3	5	7.5	12.5	15	25	30	50	75	100	150
	60Hz	3.6	6	9	15	18	30	36	60	90	120	180	200
L9HK□M	kg-cm	7.3	12.2	18.2	30.4	36.5	54.8	65.7	99.0	100	100	100	100
	N-m	0.71	1.19	1.79	2.98	3.57	5.37	6.44	9.70	9.80	9.80	9.80	9.80
L9HK□B	oz-in	101	169	253	422	506	760	912	1375	1389	1389	1389	1389

- * The normal torque is that the motor and gearhead are directly coupled.
- * Insert the denominator of reduction ratio in □ of gearhead model name.
- * Actual rotation speed is 2~15% less than synchronous speed.
- * ■Color indicates that the rotation of gearhead shaft is in opposite direction as output shaft of motor.

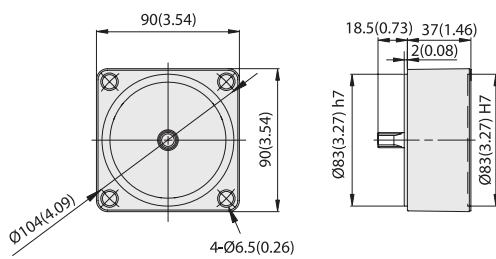
BRAKE MOTORS

DIMENSIONS

Unit : mm(inch)

DECIMAL GEARHEAD

L9G10D

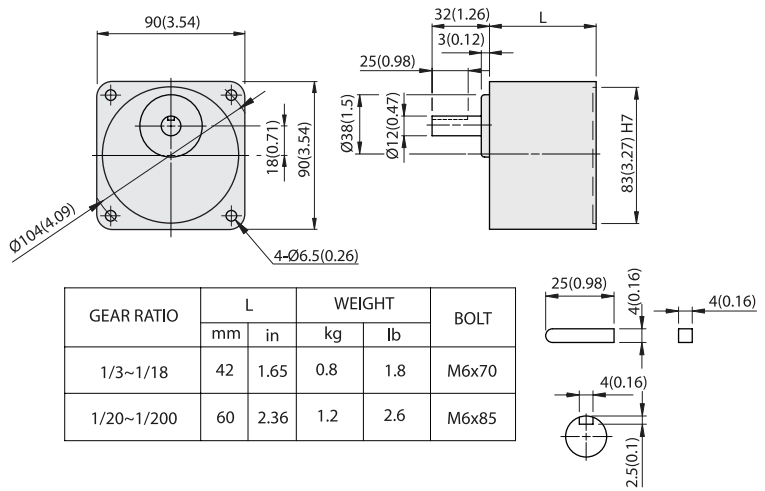


WEIGHT 0.6kg(1.3 lb)



GEARHEAD

L9HK□M(B)



GEAR RATIO	L		WEIGHT		BOLT
	mm	in	kg	lb	
1/3~1/18	42	1.65	0.8	1.8	M6x70
1/20~1/200	60	2.36	1.2	2.6	M6x85

KEY SIZE

L9HK□M(B) + L9R40P□LE

